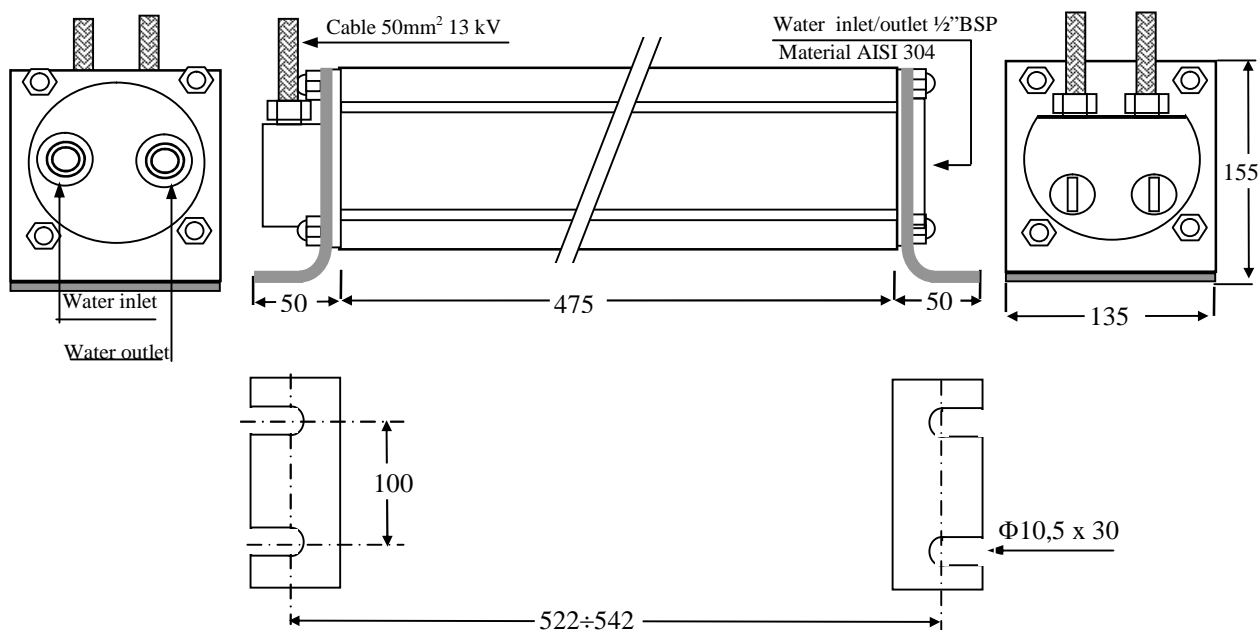




WATER COOLED RESISTORS STYLE WHB 25K



1. FOREWORD

High power resistor studied to be employed with deionised water as cooling medium. Water conductivity $\leq 2 \mu\text{S/cm}$.

1.1. ELECTRICAL CHARACTERISTICS

| Characteristics | WHB 25K |
|---------------------------------------|-----------------------------|
| Power rating (Pr) | 25.000 W |
| Max applicable Power (5sec.) | 125.000 W |
| Max. adiabatic energie | 400.000 J |
| Resistance value | 9 Ω |
| Resistance tolerance | $\pm 5\%$ |
| Temperature Coefficient | 100 ppm/ $^{\circ}\text{K}$ |
| Limit element voltage | 6.000 V |
| Dielectric strength @ 50 Hz for 1min. | 18.000 Vrms |

1.2. COOLING CHARACTERISTICS

| Characteristics | WHB 25K |
|---|--|
| Cooling fluid | Deionised Water Or deionised water and glycol |
| Conductivity of cooling fluid | $\leq 2 \mu\text{S/cm}$ |
| Required cooling fluid ΔT | 10 $^{\circ}\text{C}$ |
| Cooling fluid flow for 25 kW mean Power | $\geq 40 \text{ l/min.}$ |
| Cooling fluid pressure drop (Evaluated @50 l/min) | $\cong 0,5 \text{ bar}$ |
| Operating pressure | 6 bar @ 55 $^{\circ}\text{C}$ |
| Pressure Test | 10 bar @20 $^{\circ}\text{C}$ for 24 H |

Backerfer Srl. Danotherm Italia
I21052 Busto Arsizio - Via Parco Alto Milanese, 1
Tel.+39.0331.351.395 - Fax +39.0331.343.850

